

Universal Clutch Components

- Assemble as shown in the first schematic figure, and ensure that the clutch yoke²¹ is installed against the clutch jaw¹⁹ according to the schematic for each assembly (either tight or with a 5/16" gap).
- It may be necessary to loosen the set screws on the pump's stroke adjustment pointer to slide the main shaft over to allow clutch spacer⁴ to fit correctly. Be sure to re-tighten the set screws.
- Grease all fittings³ daily during seasonal usage.

Manual Clutch: NGP-xxxx-050

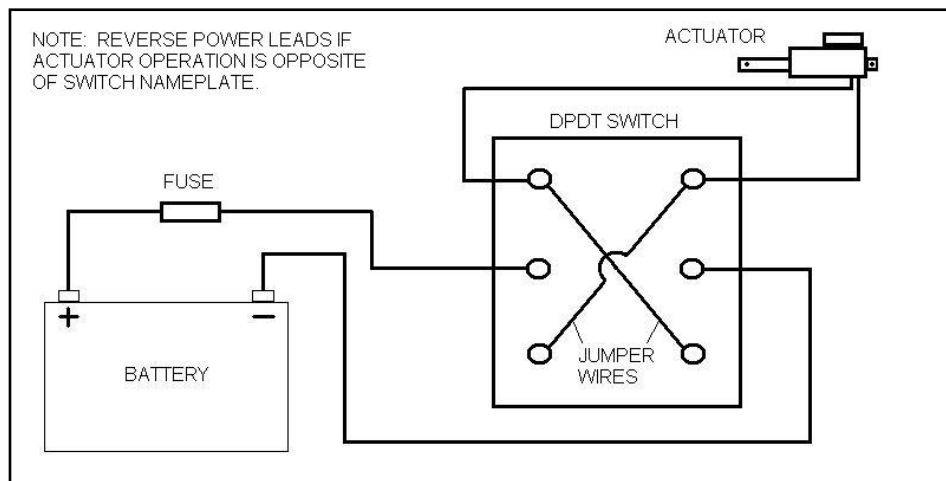
Conversion Kit # 115670

- Assemble as shown in the second schematic figure, and ensure that the shift rod²³ and pin assembly³⁴⁻³⁸ are aligned with throw out cam²⁹ so that the clutch is smoothly engaged/disengaged.
- Place one end of the torsion spring²⁷ over the 5/16" x 1-1/2" bolt⁵⁷ after assembling the bolts to the mounting plate²⁷ and the other end against the ear on the throw out bracket²⁸.

Electric Clutch: NGP-xxxx-058

Conversion Kit # 115672

- Assemble as shown in the third schematic figure – be sure to note the required 5/16" gap between the yoke and clutch jaw when retracted.
- A double pole / double throw (DPDT) switch must be obtained and wired to the actuator⁴⁸. The switch should be rated for 10A min., and can be either a sustaining or a momentary centering type.
- A 10 Amp fuse must be installed before the switch – see the diagram below for connecting the switch and actuator.
- Electric Actuator/Switch Wiring Diagram:



Hydraulic Clutch: NGP-xxxx-059

Conversion Kit # 115671

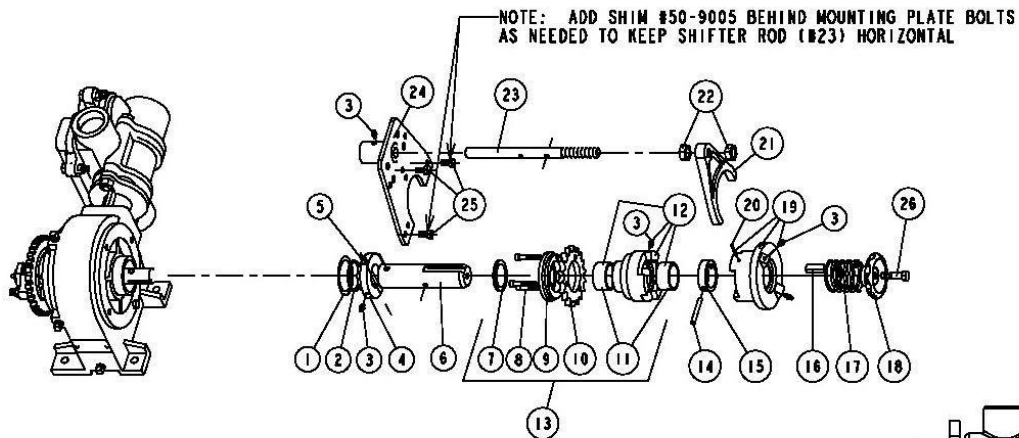
- Assemble as shown in the fourth schematic figure, and ensure that the jam nut²² is fully threaded onto the shifter rod²³.

Clutch Kit Parts List

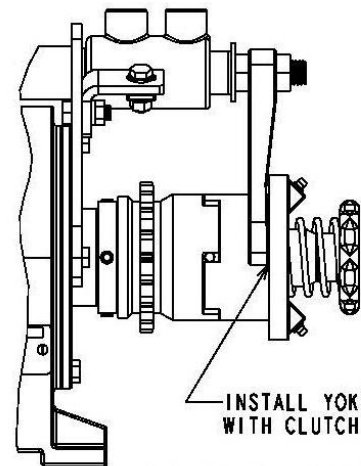
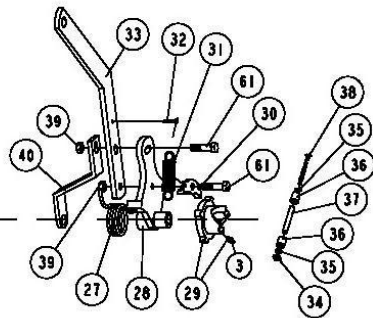
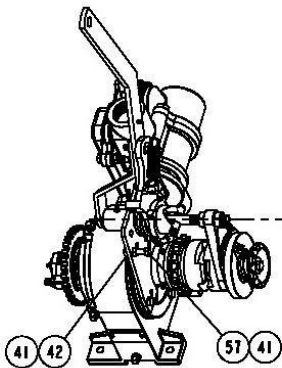
ITEM	PART DESCRIPTION	PART #	-X050 MANUAL	-X058 ELEC.	-X059 HYD.
1	WASHER	115626-01	X	X	X
2	O-RING	S-316	X	X	X
3	GREASE FITTING	H-28	X	X	X
4	CLUTCH SPACER	115639-01	X	X	X
5	3" DOWEL PIN	115640-01	X	X	X
6	SHAFT EXTENSION	115638-01	X	X	X
7	THRUST WASHER	115651-01	X	X	X
8	1/4-20 X 1" SOCKET HEAD SCREW	90512	X	X	X
9	SPROCKET RETAINER	115632-01	X	X	X
10	CLUTCH SPROCKET 18T-RC50	115637-01	X	X	X
11	CLUTCH BEARING	115650-01	X	X	X
12	CLUTCH CARRIER ASSY	115663-91	X	X	X
13	SPROCKET CARRIER ASSEMBLY	115664-91	X	X	X
14	2" ROLL PIN	A-7650	X	X	X
15	CLUTCH COLLAR	115641-01	X	X	X
16	3/8" SQ KEY	115642-01	X	X	X
17	CLUTCH SPRING	108907-01	X	X	X
18	HAND WHEEL	A-50	X	X	X
19	CLUTCH JAW ASSEMBLY	115662-91	X	X	X
20	KEY RETAINER – ROLL PIN	S-4248	X	X	X
21	CLUTCH YOKE	115635-01	X	X	X
22	5/8" JAM NUT	92037	X	X	X
23	SHIFTER ROD	115643-01	X	X	X
24	CLUTCH MOUNTING PLATE	115993-91	X	X	X
25	5/16 X 1 HEX BOLT	90637	X	X	X
26	3/8 X 1-1/4 HEX BOLT	90653	X	X	X
27	TORSION SPRING	114165-01	X	X	X
28	BRACKET - THROW OUT	L-3007	X		
29	CAM - THROW OUT	A-2757-A	X		
30	PAWL - THROW OUT	A-2758-A	X		
31	SPRING – THROW OUT	F-48	X		
32	COTTER PIN 5/32" X 1"	94010	X		
33	LEVER - THROW OUT	L-3064	X		
34	# 10 SQ NUT	92014	X		
35	WASHER	A-697	X		
36	CAM ROLLER	A-2762	X		
37	ROLL PIN	A-2763	X		
38	2-1/4 RD HEAD SCREW	90953	X		
39	3/8 NUT	92024	X		
40	HANDLE SUPPORT	115661-01	X		
41	5/16 – 18 HEX NUT	92020	X	X	X
42	5/16 LOCK WASHER	93023	X	X	X
43	5/16 FLAT WASHER	93010			X
44	MOUNT - ACTUATOR	115995-91		X	
45	1-3/4" PIN	114002-01		X	
46	COTTER PIN 1/16 X 1/2"	94002		X	
47	BRACKET - SHIFTER	114001-01		X	
48	ELECTRIC ACTUATOR	114003-01		X	
49	2" PIN	114594-01		X	
50	BRACKET - CYLINDER	115998-01			X
51	5/8 SAE FLAT WASHER	93016			X
52	PISTON	105463-01			X
53	CYLINDER	105449-01			X
54	HOUSING	105447-01			X
55	HYD CYLINDER REPAIR KIT	106531			KIT
56	HYD CYLINDER ASSEMBLY	113557-91			KIT
57	5/16 X 1-1/2 HEX BOLT	115158-01	X		
58	3/8 X 1 HEX BOLT	90860			X
59	3/8 LOCK WASHER	93024		X	X
60	3/8 X 4-1/2 HEX BOLT	90667		X	
61	3/8 X 1-1/2 HEX BOLT	90655	X		
62	5/16 X 1-3/4 SQ. HD BOLT	90554		X	
N/S	PULLEY	A-2765	X		
N/S	ROPE – 12'	A-2766	X		

Clutch Kit Schematics

UNIVERSAL COMPONENTS: (FOR ALL KITS)

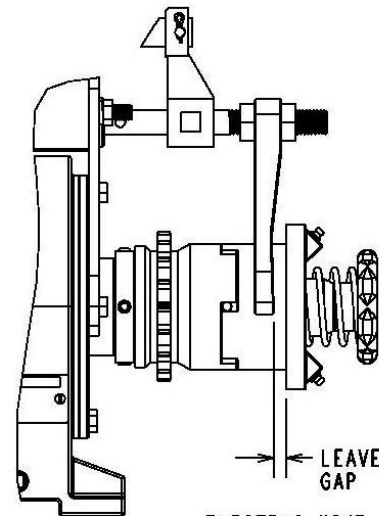
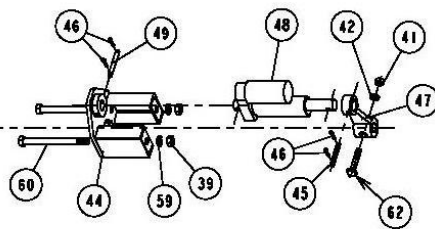
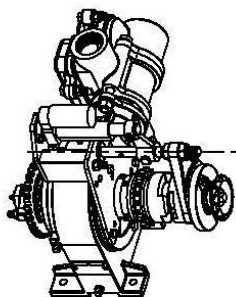


NGP-x050 MANUAL SHIFT COMPONENTS



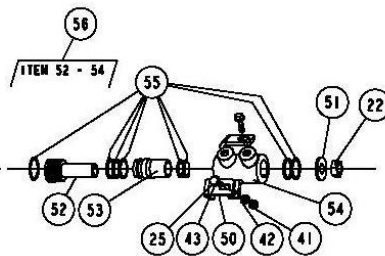
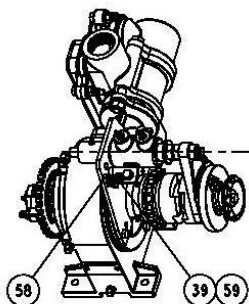
INSTALL YOKE FLUSH WITH CLUTCH JAW
HYDRAULIC AND MANUAL YOKE SETUP - RETRACTED

NGP-x058 ELECTRIC SHIFT COMPONENTS



LEAVE 5/16" GAP
ELECTRIC YOKE SETUP - RETRACTED

NGP-x059 HYDRAULIC SHIFT COMPONENTS



LIMITED WARRANTY

THIS WARRANTY IS IN LIEU OF ALL OTHER WRITTEN OR EXPRESS WARRANTIES AND REPRESENTATIONS. ANY IMPLIED WARRANTIES INCLUDING MERCHANTABILITY OR FITNESS FOR ANY PARTICULAR PURPOSE ARE EXPRESSLY LIMITED TO THIS WRITTEN WARRANTY. JOHN BLUE COMPANY SHALL NOT BE LIABLE FOR CONSEQUENTIAL DAMAGES.

Use of this product for any purpose other than its original intent, abuse of the product, and/or any modification to the original product is strictly prohibited by the manufacturer, John Blue Company. Any modification to the product should be approved by John Blue Company prior to use. John Blue Company will deny Warranty claims and liability in any situation involving misuse, abuse or modification.

Each new machine or component manufactured by John Blue Company through original buyer is warranted by John Blue Company to buyer and to any party or parties to whom buyer may resell, lease or lend the equipment to be free from defects in material and workmanship under normal use and service. This obligation of John Blue Company under this warranty is limited to the repair or replacement of defective parts or correction of improper workmanship of any parts of such equipment which shall within one year from the date of John Blue's original delivery thereof, be returned to John Blue's factory, transportation charges prepaid and which John Blue Company shall determine to its satisfaction upon examination thereof to have been thus defective. When it is impractical to return the defective parts of such equipment to John Blue's factory, then John Blue shall have no liability for the labor cost involved in repairing or replacing any such parts and shall be liable solely for supplying the material necessary to replace or repair the defective parts, provided that prior thereto John Blue Company shall have determined to its satisfaction that any such parts are thus defective.

This warranty shall not apply to any equipment which shall have been repaired or altered outside John Blue's factory in any way so as to affect its durability, nor which has been subjected to misuse, abuse, negligence or accident, or operated in any manner other than in accordance with operating instructions provided by John Blue Company. This warranty does not extend to repairs made necessary by the use of inferior or unsuitable parts or accessories, or parts or accessories not recommended by John Blue Company.

John Blue Company makes no warranties in respect to parts, accessories or components not manufactured by John Blue Company, same ordinarily being warranted separately by their respective manufacturers.

DIVISION OF ADVANCED SYSTEMS TECHNOLOGIES

HUNTSVILLE, AL

(256) 721-9090



John Blue Company
Division of Advanced Systems Technology
165 Electronics Blvd, Huntsville, AL 35824
Telephone: (256) 721-9090 - FAX: (256) 721-9091
Toll Free: 1-800-253-2583
www.johnblue.com

YOUR LOCAL DEALER

