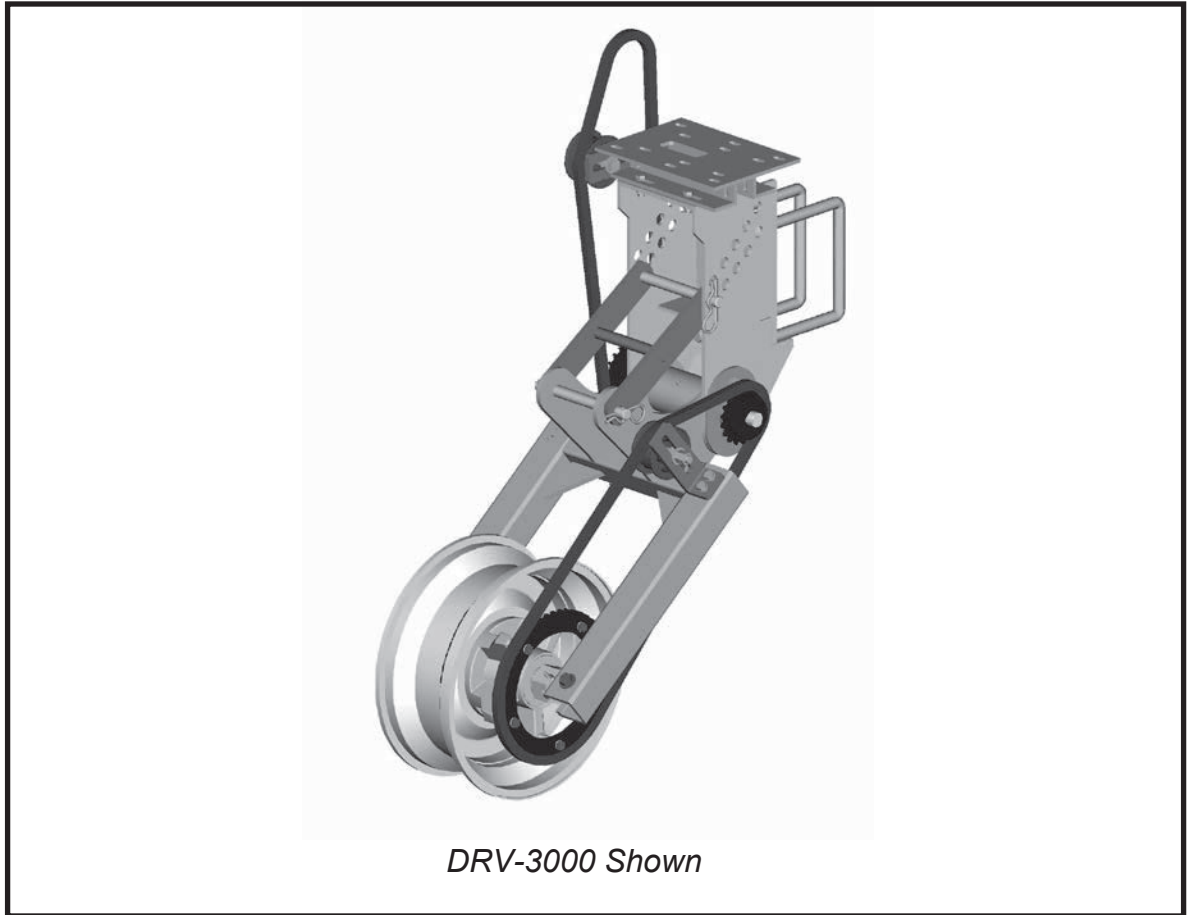




DRV SERIES GROUND DRIVES

PARTS AND INSTRUCTIONAL MANUAL



DRV-3000 Shown

JOHN BLUE COMPANY

DIVISION OF ADVANCED SYSTEMS TECHNOLOGY, INC.
165 Electronics Blvd, Huntsville, AL 35824
Telephone: (256) 721-9090 • FAX: (256) 721-9091
Toll Free: 1-800-253-2583
www.johnblue.com

TABLE OF CONTENTS

Table of Contents	2
Safety Precautions	2
Installation Instructions: DRV 3000 / 3100 / 3300	3
Installation Diagram	4
Installation Instructions: DRV 3200	5
Parts Diagram	6
Parts List	7
Warranty	8

SAFETY PRECAUTIONS

- Equipment should be operated only by responsible people.
- A careful operator is the best insurance against an accident.

WARNING: USE OF THIS PRODUCT FOR ANY PURPOSES OTHER THAN ITS ORIGINAL INTENT, ABUSE OF THE PRODUCT, AND/OR MODIFICATION TO THE ORIGINAL PRODUCT IS STRICTLY PROHIBITED BY JOHN BLUE COMPANY. JOHN BLUE COMPANY RESERVES THE RIGHT TO DENY WARRANTY OR LIABILITY CLAIMS IN ANY/ALL SITUATIONS INVOLVING MISUSE, ABUSE OR MODIFICATION.

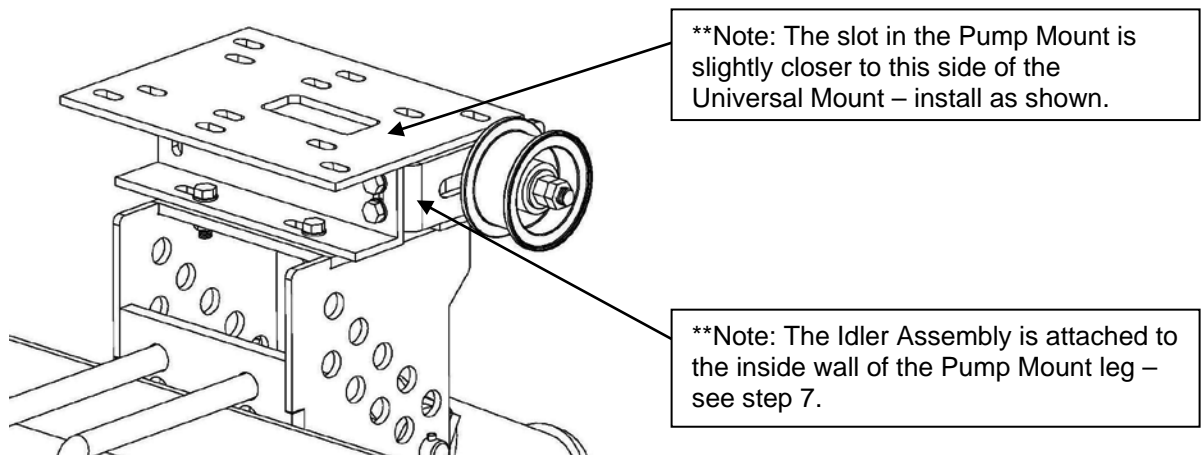
THE ORIGINAL INTENT OF THIS PRODUCT DOES NOT INCLUDE USE WHERE THE MAXIMUM ALLOWED SPEED, PRESSURE, OR TEMPERATURE IS EXCEEDED, AND IT DOES NOT INCLUDE APPLICATIONS UTILIZING FLUIDS THAT ARE NOT COMPATIBLE WITH THE PRODUCT'S COMPONENT MATERIALS. DO NOT USE THIS PRODUCT WITH FLAMMABLE OR COMBUSTIBLE FLUIDS SUCH AS GASOLINE, KEROSENE, DIESEL, ETC..., AND DO NOT USE IN EXPLOSIVE ATMOSPHERES. FAILURE TO FOLLOW THIS NOTICE MAY RESULT IN SERIOUS INJURY AND/OR PROPERTY DAMAGE AND WILL VOID THE PRODUCT WARRANTY. IF IN DOUBT ABOUT YOUR APPLICATION, CONTACT YOUR STOCKING DEALER OR THE JOHN BLUE TECHNICAL STAFF AT 1-800-253-2583.

WARNING: THIS PRODUCT CAN EXPOSE YOU TO CERTAIN CHEMICALS, WHICH ARE KNOWN TO THE STATE OF CALIFORNIA TO CAUSE CANCER OR BIRTH DEFECTS OR OTHER REPRODUCTIVE HARM. FOR MORE INFORMATION GO TO: www.P65Warnings.ca.gov.

Installation Instructions: DRV-3000, 3100, 3300

**refer to diagram on next page*

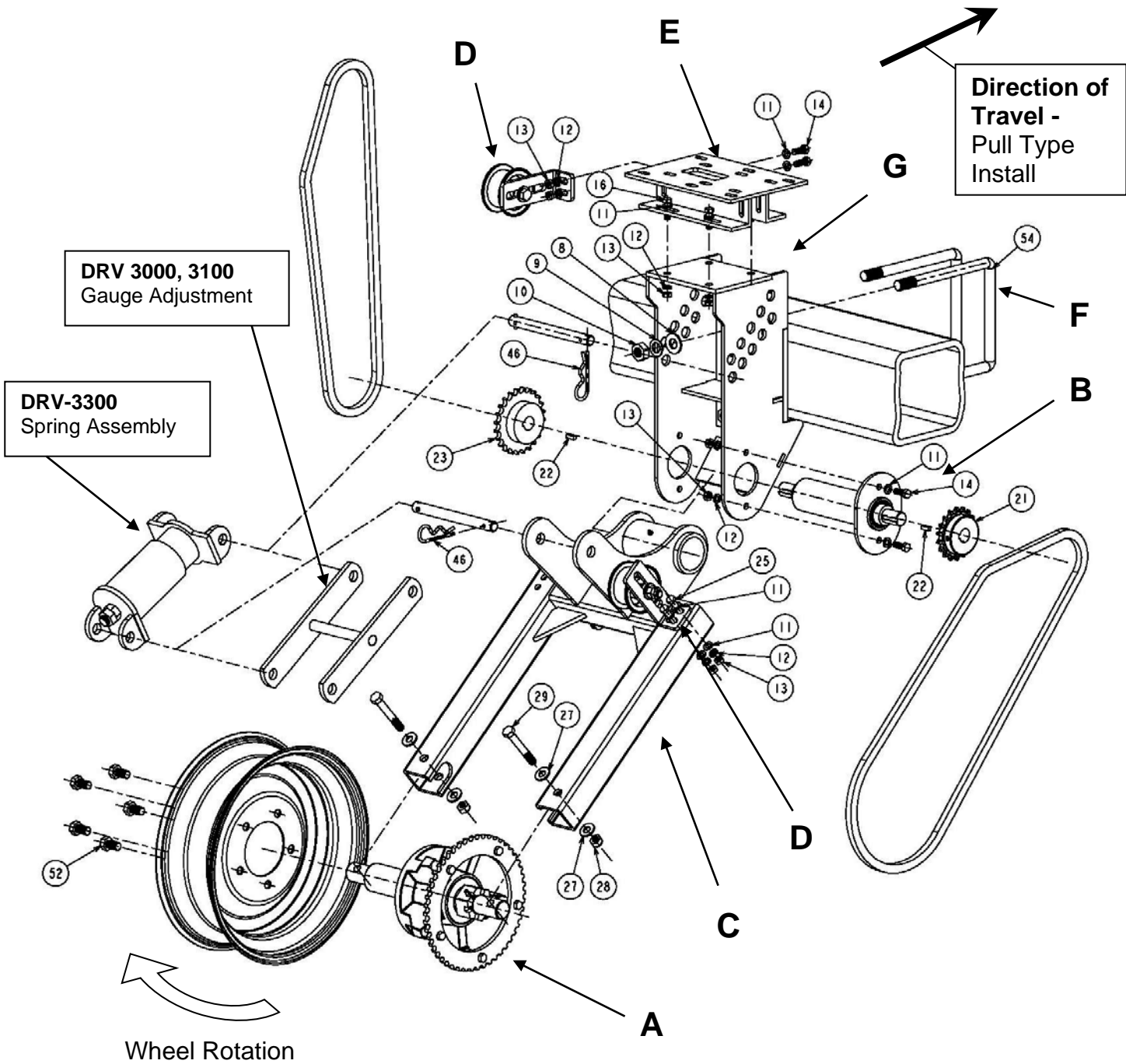
- 1) Attach the Universal Mount (G) to the toolbar using the correct set of U-Bolts.
- 2) Using the Jack-Shaft Carrier Assembly (B), attach the Arm-Weldment (C) to the Universal Mount (G).
- 3) Attach Spring Assembly (-3300) or Gauge Adjustment (-3000, -3100) to the Arm-Weldment (C) and the Universal Mount (G) using the two gauge pins and cotter pins.
- 4) Attach the wheel to the Spindle assembly using the 9/16 lug bolts.
- 5) Making sure the Spindle Assembly is oriented correctly, attach it to the Arm-Weldment (C).
- 6) Attach the Pump Mount (E) on top of the Universal Mount (G). Check to make sure the mount is oriented correctly as shown in the picture below.



- 7) Mount each Idler Assembly (D) in the correct position for either a Push or Pull type setup. Refer to page 4 for a Pull-Type illustration and page 6 for a Push-Type illustration.
- 8) Install the sprockets on the Jack-Shaft carrier (B). The 18T Sprocket (#21) should be installed (with the hub facing outward) on the same side of the Jack-Shaft carrier as the spindle sprocket. The 24T Sprocket (#23) should be installed on the other side to align with the pump sprocket.
- 9) Mount both drive chains as shown in the diagram on page 4. Adjust the idlers to take up slack in the drive chains.

Installation Diagram: DRV-3000, 3100, 3300

** Note: Idler bracket positions are shown for Pull Type installation

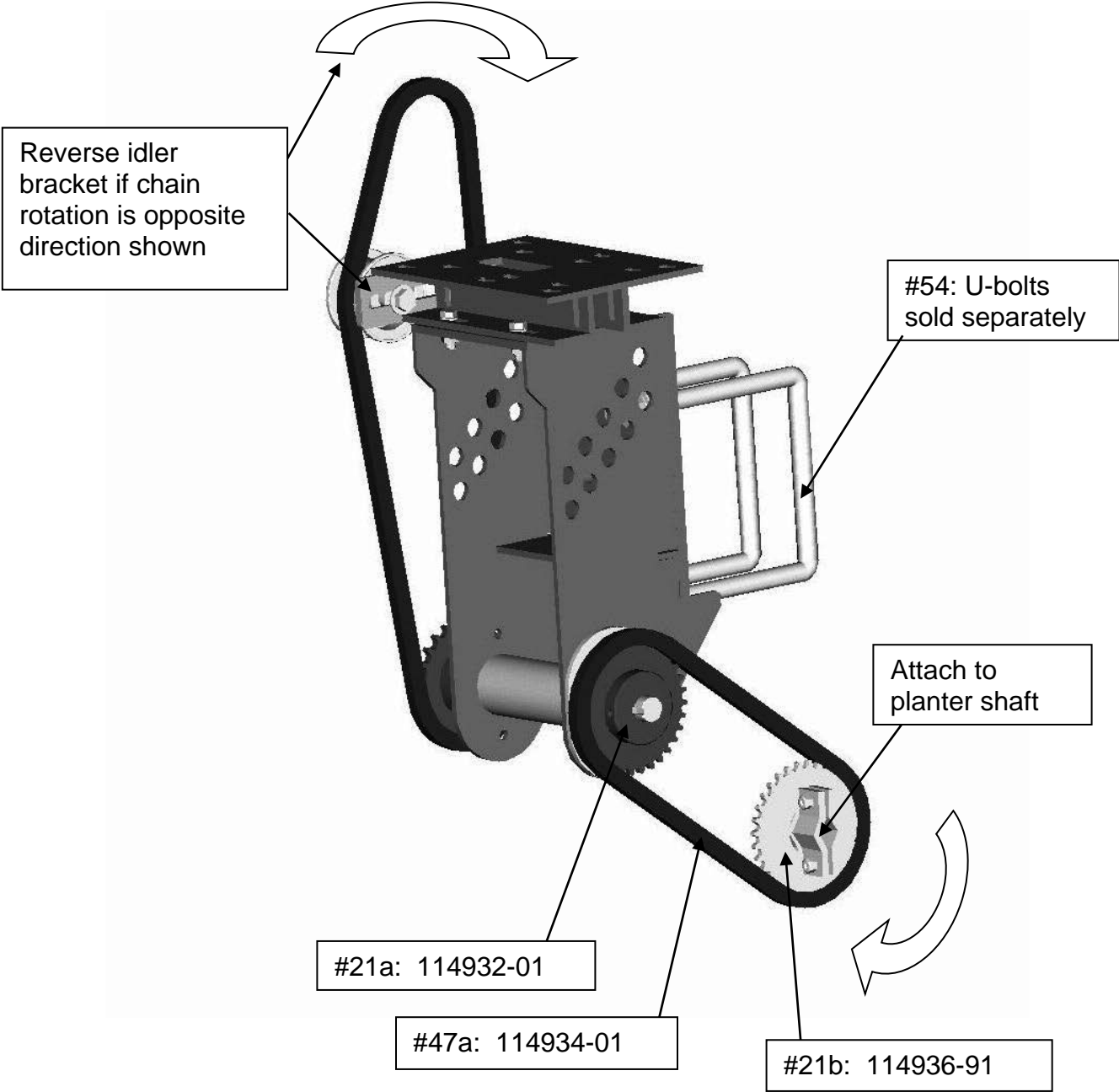


- List of major Assemblies and Parts**
- A) Spindle Assembly
 - B) Jack-Shaft Carrier Assembly
 - C) Arm-Weldment
 - D) Idler Assembly
 - E) Pump Mount
 - F) U-Bolts (Ordered Separately)
 - G) Universal Mount

**For item number descriptions refer to Parts listing on page 7

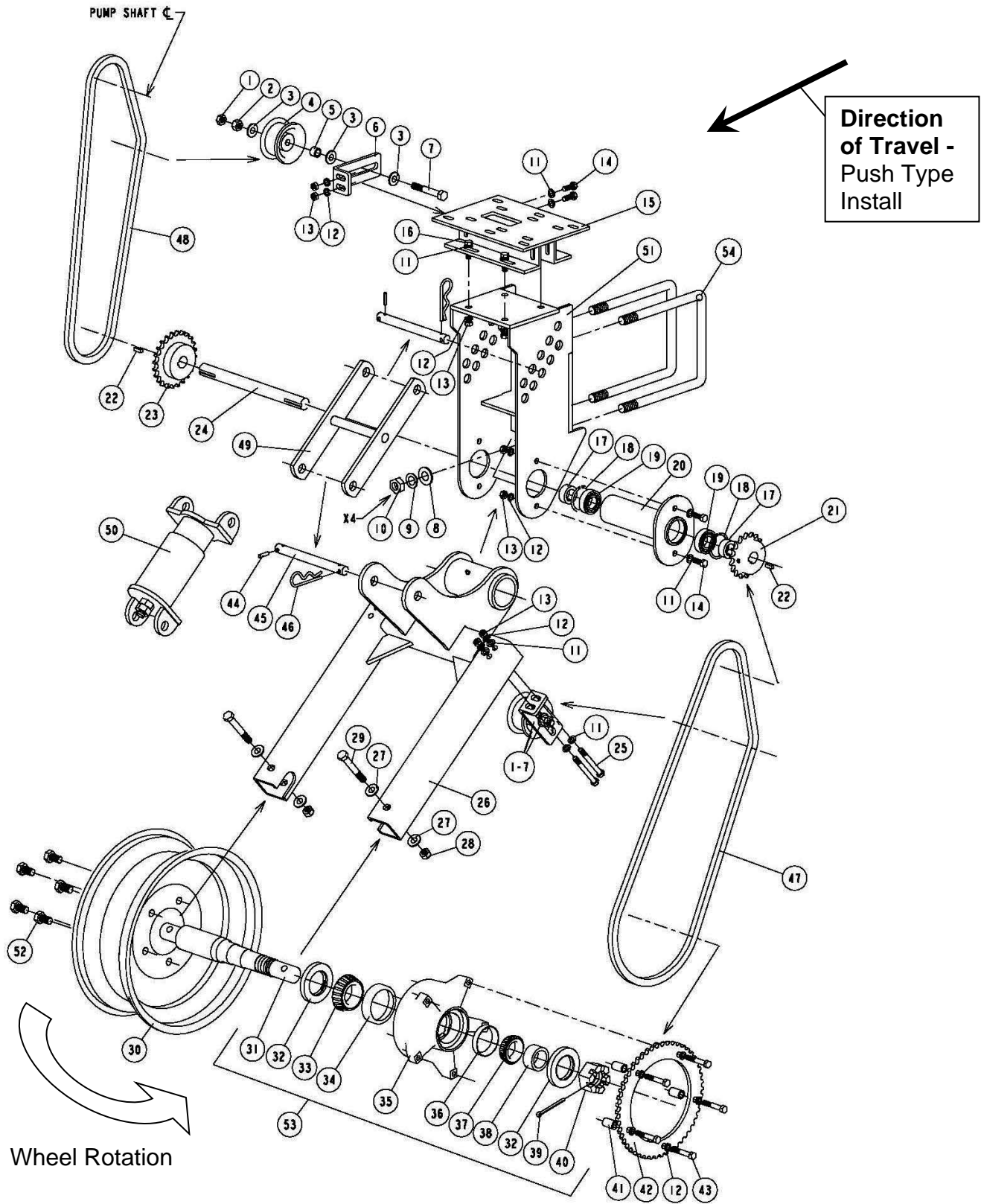
Installation Instructions: DRV 3200 Planter Drive

**See pages 6 and 7 for part numbers of shared components



Parts Diagram: All Models

** Note: Idler bracket positions are shown for Push Type installation



Parts List

Item	Part #	Description	DRV-3000 Fixed Height Drive	DRV-3100 Gage Wheel Only	DRV-3200 Planter Mount	DRV-3300 Spring Load Drive
1	92031	½-13 JAM NUT	2		1	2
2	92029	½-13 HEX NUT	2		1	2
3	93012	7/16 FLAT WASHER	6		3	6
4	A-401	IDLER SPOOL	2		1	2
5	A-512	FERRULE	2		1	2
6	115944-01	IDLER BRACKET	2		1	2
7	90699	½-13 X 3-1/4 BOLT	2		1	2
8	93018	¾ SAE FLAT WASHER	4	4	4	4
9	93028	¾ LOCK WASHER	4	4	4	4
10	92039	¾-10 HEX NUT	4	4	4	4
11	93011	3/8 FLAT WASHER	15	2	10	15
12	93024	3/8 LOCKWASHER	15	2	8	15
13	92024	3/8-16 HEX NUT	10	2	8	10
14	90860	3/8-16 X 1 BOLT	4	2	4	4
15	115938-91	PUMP MOUNT – PISTON	1		1	1
16	90653	3/8-16 X 1-1/4 BOLT	4		4	4
17	115916-01A	COLLAR	2		2	2
18	115915-01	RETAINING RING	2		2	2
19	L-1017	BEARING	2		2	2
20	115933-91	PIVOT PLATE TUBE	1	1	1	1
21	112661-01	SPROCKET – RC50-18T	1			1
21a	114932-01	SPROCKET – RC40-32T			1	
21b	114936-91	SPLT. SPKT.- RC40-32T			1	
22	L-1020	¼" STD. KEY	2		2	2
23	112794-01	SPROCKET – RC50-24T	1		1	1
24	115934-01	JACK SHAFT	1		1	1
25	90663	3/8-16 X 3-1/2 BOLT	2			2
26	115923-91	ARM – WELDMENT	1	1		1
27	93013	½ FLAT WASHER	4	4		4
28	92048	½-13 LOCK NUT	2	2		2
29	90700	½-13 X 3-1/2 BOLT	2	2		2
30	A-1363	WHEEL – 15" - 5 BOLT	1	1		1
31	115925-01	SPINDLE	1	1		1
32	M-330	GREASE SEAL	2	2		2
33	42500	CONE BEARING	1	1		1
34	42000	CUP BEARING	1	1		1
35	115900-02	HUB	1	1		1
36	M-327	OUTER CUP BEARING	1	1		1
37	M-326	OUTER CONE BEARING	1	1		1
38	115926-01	SPACER - SEAL	1	1		1
39	94017	COTTER PIN	1	1		1
40	115927-01	1-1/2 – 12 HEX NUT -	1	1		1
41	A-8148	FERRULE	5			5
42	A-1342-BP	SPROCKET – RC50 – 50T	1			1
43	91059	3/8-16 X 2-1/4 BOLT	5			5
44	S-5476	¼ X 1-1/4 ROLL PIN	1	1		1
45	115924-01	GAUGE PIN	1	1		
46	A-6350	COTTER PIN	1	1		1
47	115943-A	RC50 CHAIN – 93 LINKS	1			1
47a	114934-01	RC40 CHAIN – 61 LINKS			1	
48	115943-B	RC50 CHAIN – 105 LINKS	1		1	1
49	115946-91	GAUGE ADJUSTMENT	1	1		
50	115911-91	SHOCK ASSEMBLY				1
51	115904-91	UNIVERSAL MOUNT	1	1	1	1
52	M-394	9/16-18 X 1-1/8 – LUG BOLT	5	5		5
53	115931-91	SPINDLE ASSEMBLY	1	1		1
54	115907-01A 115907-01B 115907-01C 115907-01D	U-BOLT 7 X 7 BAR (2 req'd) U-BOLT 4 X 4 BAR (2 req'd) U-BOLT 4 X 6 BAR (2 req'd) U-BOLT 6 X 6 BAR (2 req'd)	NOT INCLUDED	NOT INCLUDED	NOT INCLUDED	NOT INCLUDED

LIMITED WARRANTY

THIS WARRANTY IS IN LIEU OF ALL OTHER WRITTEN OR EXPRESS WARRANTIES AND REPRESENTATIONS. ANY IMPLIED WARRANTIES INCLUDING MERCHANTABILITY OR FITNESS FOR ANY PARTICULAR PURPOSE ARE EXPRESSLY LIMITED TO THIS WRITTEN WARRANTY. JOHN BLUE COMPANY SHALL NOT BE LIABLE FOR CONSEQUENTIAL DAMAGES.

Use of this product for any purpose other than its original intent, abuse of the product, and/or any modification to the original product is strictly prohibited by the manufacturer, John Blue Company. Any modification to the product should be approved by John Blue Company prior to use. John Blue Company will deny Warranty claims and liability in any situation involving misuse, abuse or modification.

Each new machine or component manufactured by John Blue Company through original buyer is warranted by John Blue Company to buyer and to any party or parties to whom buyer may resell, lease or lend the equipment to be free from defects in material and workmanship under normal use and service. This obligation of John Blue Company under this warranty is limited to the repair or replacement of defective parts or correction of improper workmanship of any parts of such equipment which shall within one year from the date of John Blue's original delivery thereof, be returned to John Blue's factory, transportation charges prepaid and which John Blue Company shall determine to its satisfaction upon examination thereof to have been thus defective. When it is impractical to return the defective parts of such equipment to John Blue's factory, then John Blue shall have no liability for the labor cost involved in repairing or replacing any such parts and shall be liable solely for supplying the material necessary to replace or repair the defective parts, provided that prior thereto John Blue Company shall have determined to its satisfaction that any such parts are thus defective.

This warranty shall not apply to any equipment which shall have been repaired or altered outside John Blue's factory in any way so as to affect its durability, nor which has been subjected to misuse, abuse, negligence or accident, or operated in any manner other than in accordance with operating instructions provided by John Blue Company. This warranty does not extend to repairs made necessary by the use of inferior or unsuitable parts or accessories, or parts or accessories not recommended by John Blue Company.

John Blue Company makes no warranties in respect to parts, accessories or components not manufactured by John Blue Company, same ordinarily being warranted separately by their respective manufacturers.

DIVISION OF ADVANCED SYSTEMS TECHNOLOGY, INC.

HUNTSVILLE, AL (256) 721-9090



JOHN BLUE COMPANY

Division of Advanced Systems Technology, Inc.
165 Electronics Blvd., Huntsville, AL 35824
Telephone: (256) 721- 9090 • Fax: (256) 721-9091
Toll Free 1-800-253-2583
www.johnblue.com

YOUR LOCAL DEALER