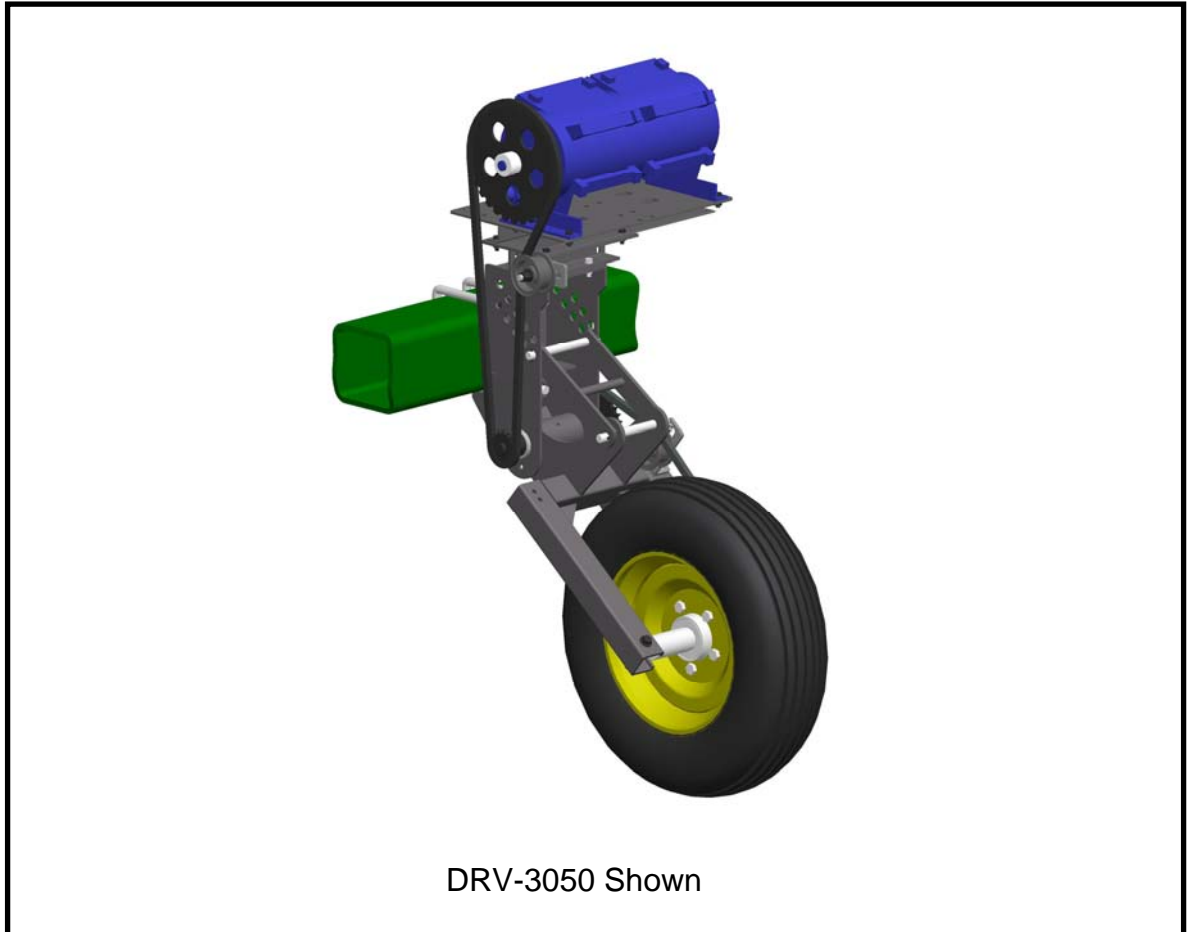




DRV-SQZ SQUEEZE PUMP MOUNT KIT

PARTS AND INSTRUCTION MANUAL



DRV-3050 Shown

CDS-JOHN BLUE COMPANY

DIVISION OF ADVANCED SYSTEMS TECHNOLOGY, INC.

165 Electronics Blvd, Huntsville, AL 35824

Telephone: (256) 721-9090 - FAX: (256) 721-9091

Toll Free: 1-800-253-2583

TABLE OF CONTENTS

Safety Precautions	2
Warnings	2
Installation	3
Diagram - Blue Pump, Pull Orientation	4
Diagram - Blue Pump, Push Orientation	5
Diagram - Green Pump, Pull Orientation	6
Diagram - Green Pump, Push Orientation	7
Warranty	8

SAFETY PRECAUTIONS

- Equipment should be operated only by responsible people.
- A careful operator is the best insurance against an accident.

WARNING: USE OF THIS PRODUCT FOR ANY PURPOSES OTHER THAN ITS ORIGINAL INTENT, ABUSE OF THE PRODUCT, AND/OR MODIFICATION TO THE ORIGINAL PRODUCT IS STRICTLY PROHIBITED BY CDS-JOHN BLUE COMPANY. CDS-JOHN BLUE COMPANY RESERVES THE RIGHT TO DENY WARRANTY OR LIABILITY CLAIMS IN ANY/ALL SITUATIONS INVOLVING MISUSE, ABUSE OR MODIFICATION.

THE ORIGINAL INTENT OF THIS PRODUCT DOES NOT INCLUDE USE WHERE THE MAXIMUM ALLOWED SPEED, PRESSURE, OR TEMPERATURE IS EXCEEDED, AND IT DOES NOT INCLUDE APPLICATIONS UTILIZING FLUIDS THAT ARE NOT COMPATIBLE WITH THE PRODUCT'S COMPONENT MATERIALS. DO NOT USE THIS PRODUCT WITH FLAMMABLE OR COMBUSTIBLE FLUIDS SUCH AS GASOLINE, KEROSENE, DIESEL, ETC..., AND DO NOT USE IN EXPLOSIVE ATMOSPHERES. FAILURE TO FOLLOW THIS NOTICE MAY RESULT IN SERIOUS INJURY AND/OR PROPERTY DAMAGE AND WILL VOID THE PRODUCT WARRANTY. IF IN DOUBT ABOUT YOUR APPLICATION, CONTACT YOUR STOCKING DEALER OR THE CDS-JOHN BLUE TECHNICAL STAFF AT 1-800-253-2583.

WARNING: THIS PRODUCT CAN EXPOSE YOU TO CERTAIN CHEMICALS, WHICH ARE KNOWN TO THE STATE OF CALIFORNIA TO CAUSE CANCER OR BIRTH DEFECTS OR OTHER REPRODUCTIVE HARM. FOR MORE INFORMATION GO TO: www.P65Warnings.ca.gov.

INSTALLATION

Kit Component List:

<u>Item</u>	<u>Part Number</u>	<u>Description</u>	<u>Qty</u>
1	115949-91	Mounting Bracket	1
2	115953-01	#20/40 Roller Chain – 75 Links	1
3	L-1404	#20/40 Chain Connector Link	1
4	115955-01	#50 Roller Chain – 113 Links	1
5	A-414	#50 Chain Connector Link	1
6	A-415	#50 Chain Offset Link	1
7	112774	36 Tooth Sprocket for #50 Chain	1
8	113907-01	18 Tooth Sprocket for #40 Chain	1
9	90653	3/8-16 X 1-1/4" Lg Hex Head Bolt	8
10	92024	3/8" Hex Nut	8
11	93011	3/8" Flat Washer	12
12	93024	3/8" Lock Washer	8

Assembly

Note: For assembly of the drive wheel components, refer to the DRV Ground Drive Assembly instruction manual, #12-M-44.

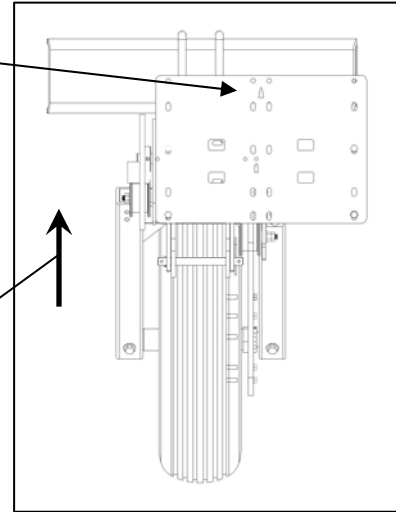
- Determine which pump you are installing, and which way the wheel will be driven (push or pull). Reference the appropriate diagram on the following pages for your installation.
- The driven sprocket for the pump (for #40 chain) must be purchased separately from the kit, and the size of it will be determined by your desired flow rate. Re-size the 20/40 chain length as required to fit your sprocket.
 - Max sprocket size for Green pumps is approx. 72 teeth
 - Max sprocket size for Blue pumps is approx. 64 teeth (or 32 if using double pitch sprocket)
- The following gives information about the sprocket ratios from the kit:
 - Wheel sprocket has 50 teeth
 - Idler shaft sprocket (connected to wheel or planter shaft) has 36 teeth
 - Idler shaft sprocket (connected to pump) has 18 teeth
 - The loaded tire radius (provided by user) must also be considered in the calculation.

Blue Pump Diagram – PULL Orientation

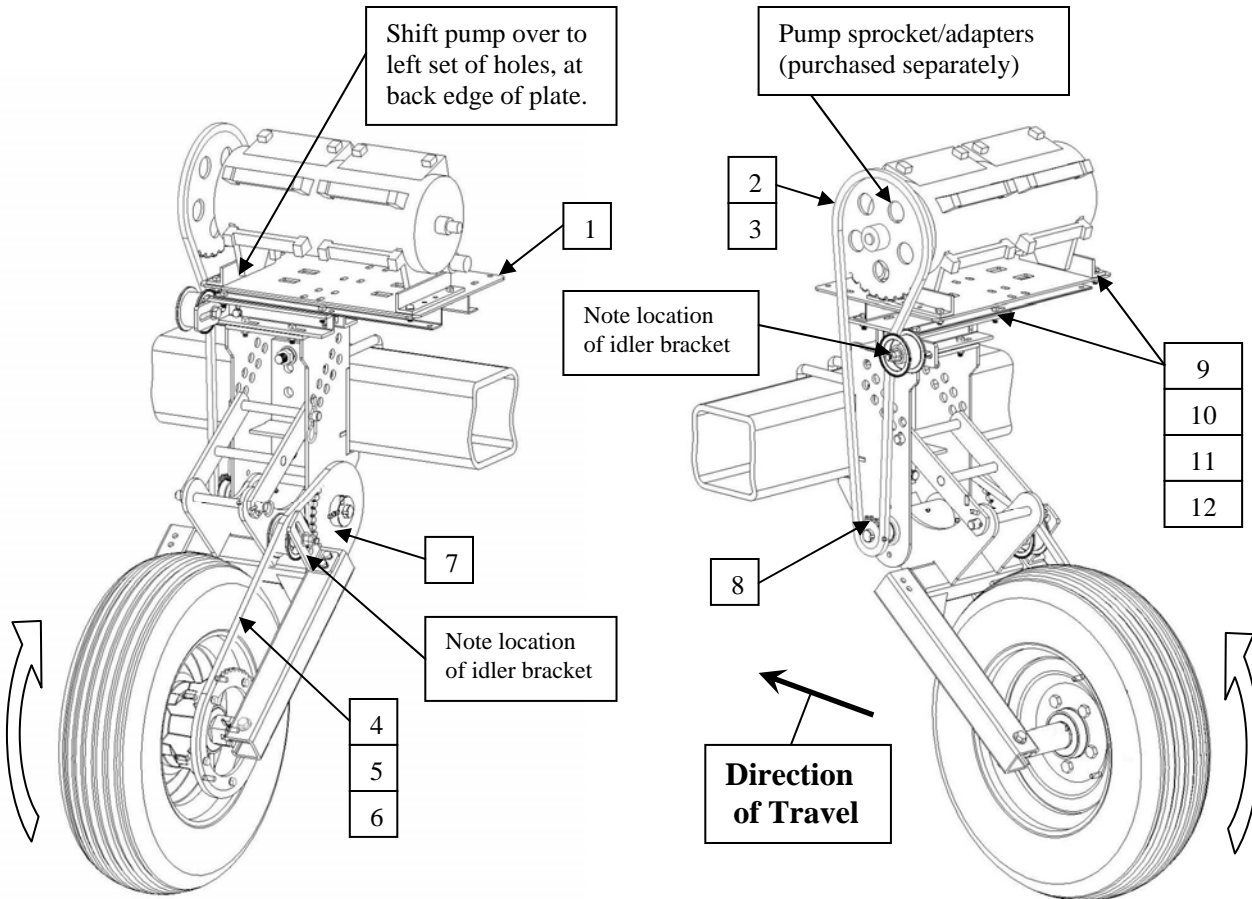
Plate installation direction:

Install the plate as shown – shifted to the **RIGHT**, with the arrow in the plate pointed away from the ground wheel.

Direction of Travel



Item installation location diagrams (refer to item numbers on page 3):

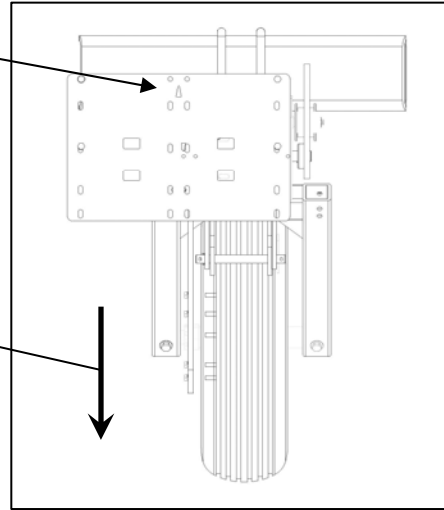


Blue Pump Diagram – PUSH Orientation

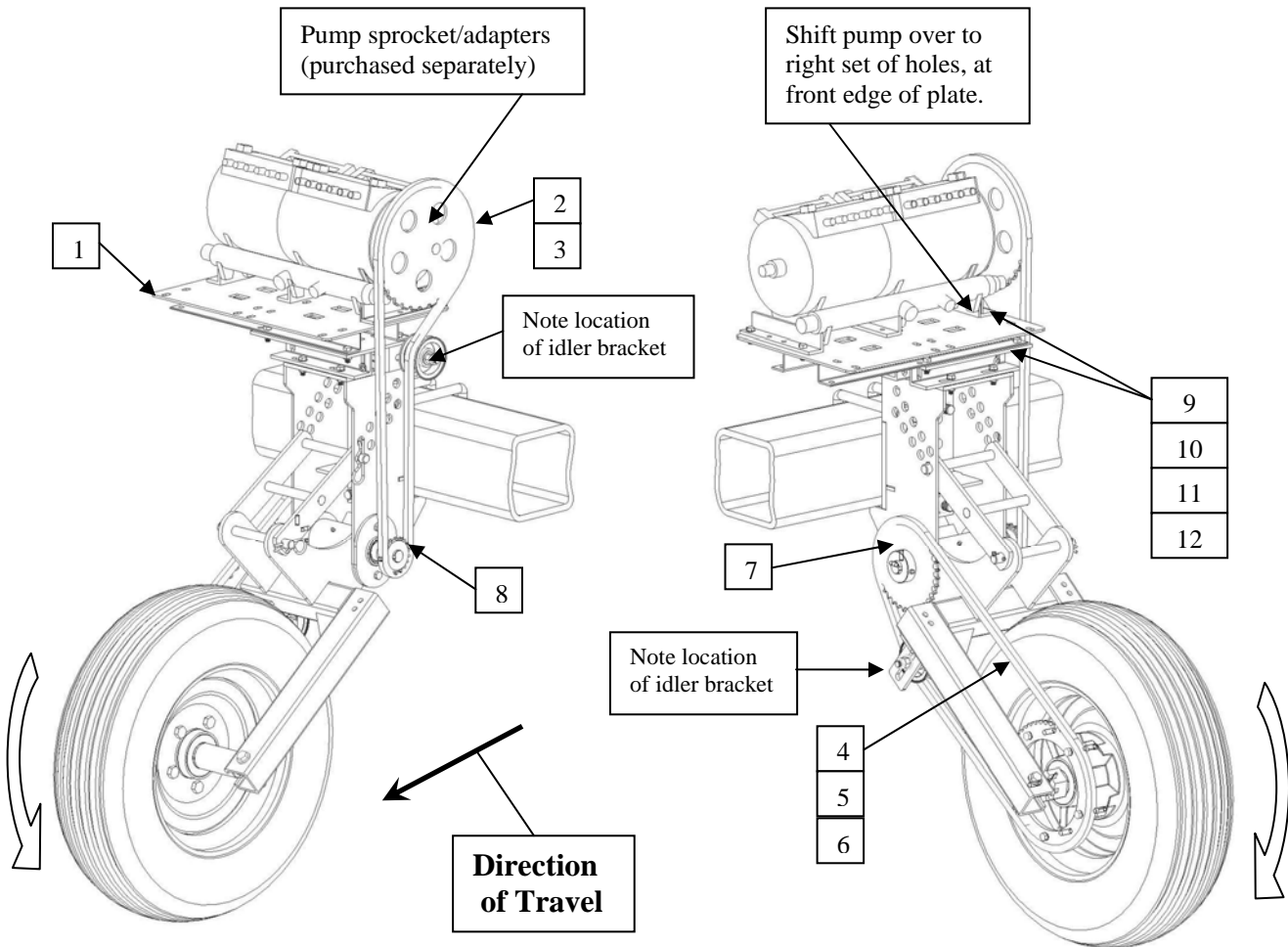
Plate installation direction:

Install the plate as shown – shifted to the **LEFT**, with the arrow in the plate pointed away from the ground wheel.

Direction of Travel



Item installation location diagrams (refer to item numbers on page 3):

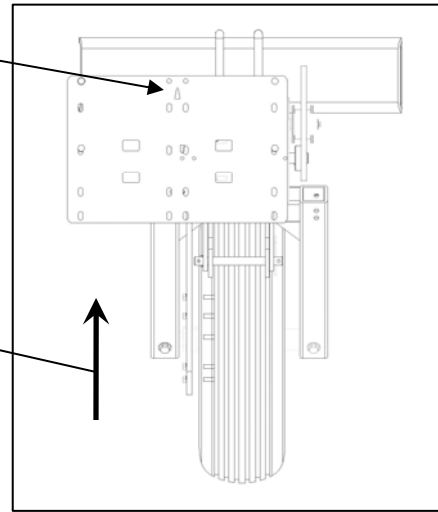


Green Pump Diagram – PULL Orientation

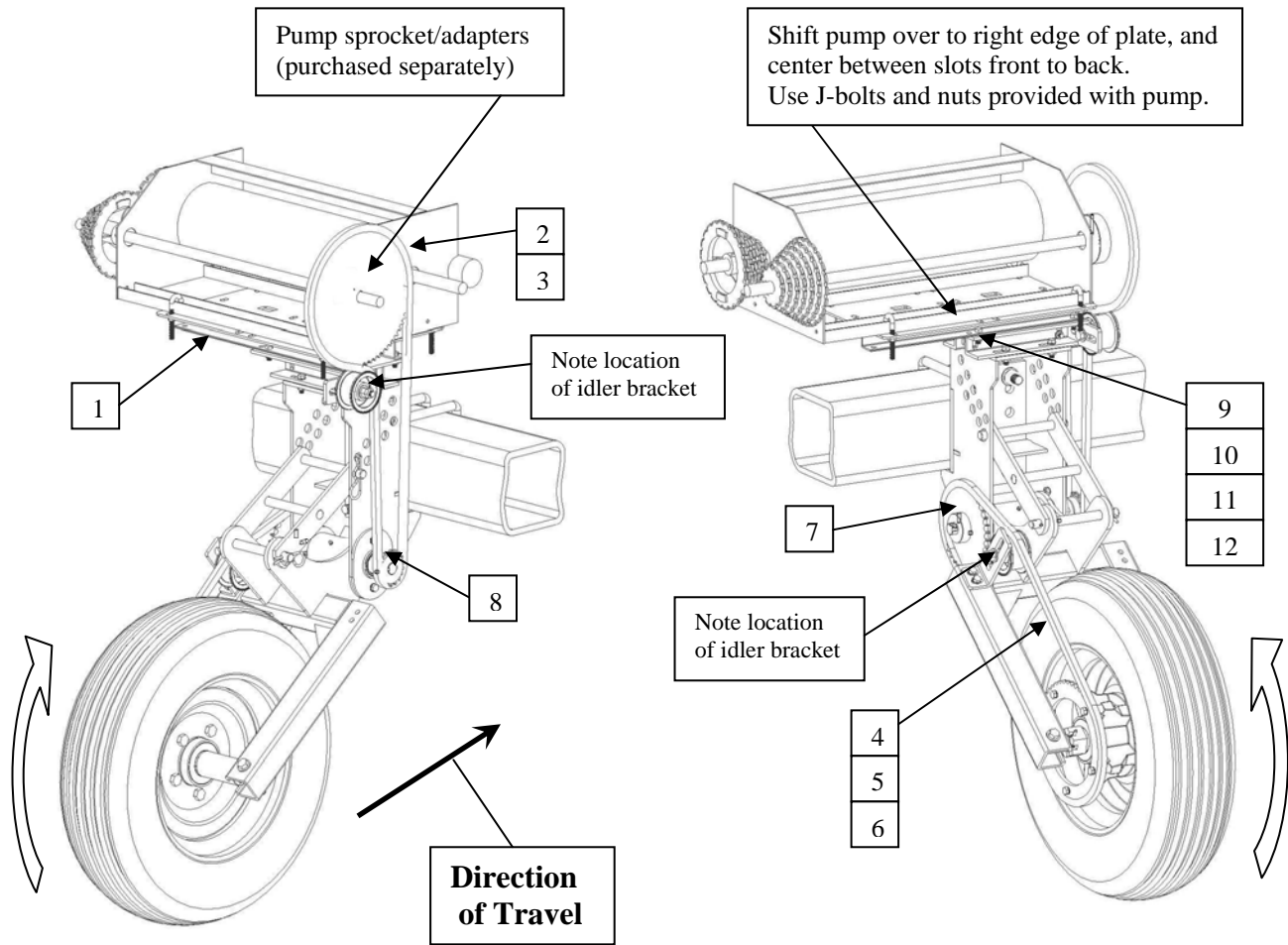
Plate installation direction:

Install the plate as shown – shifted to the **LEFT**, with the arrow in the plate pointed away from the ground wheel.

Direction of Travel



Item installation location diagrams (refer to item numbers on page 3):

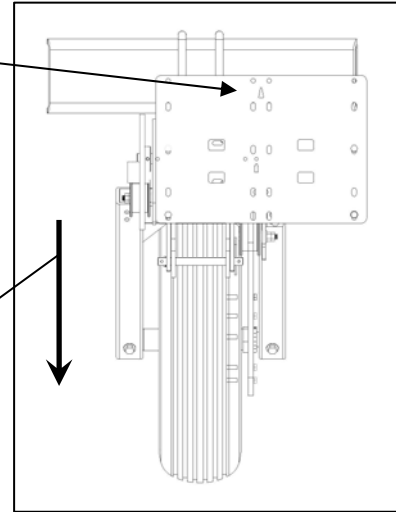


Green Pump Diagram – PUSH Orientation

Plate installation direction:

Install the plate as shown – shifted to the **RIGHT**, with the arrow in the plate pointed away from the ground wheel.

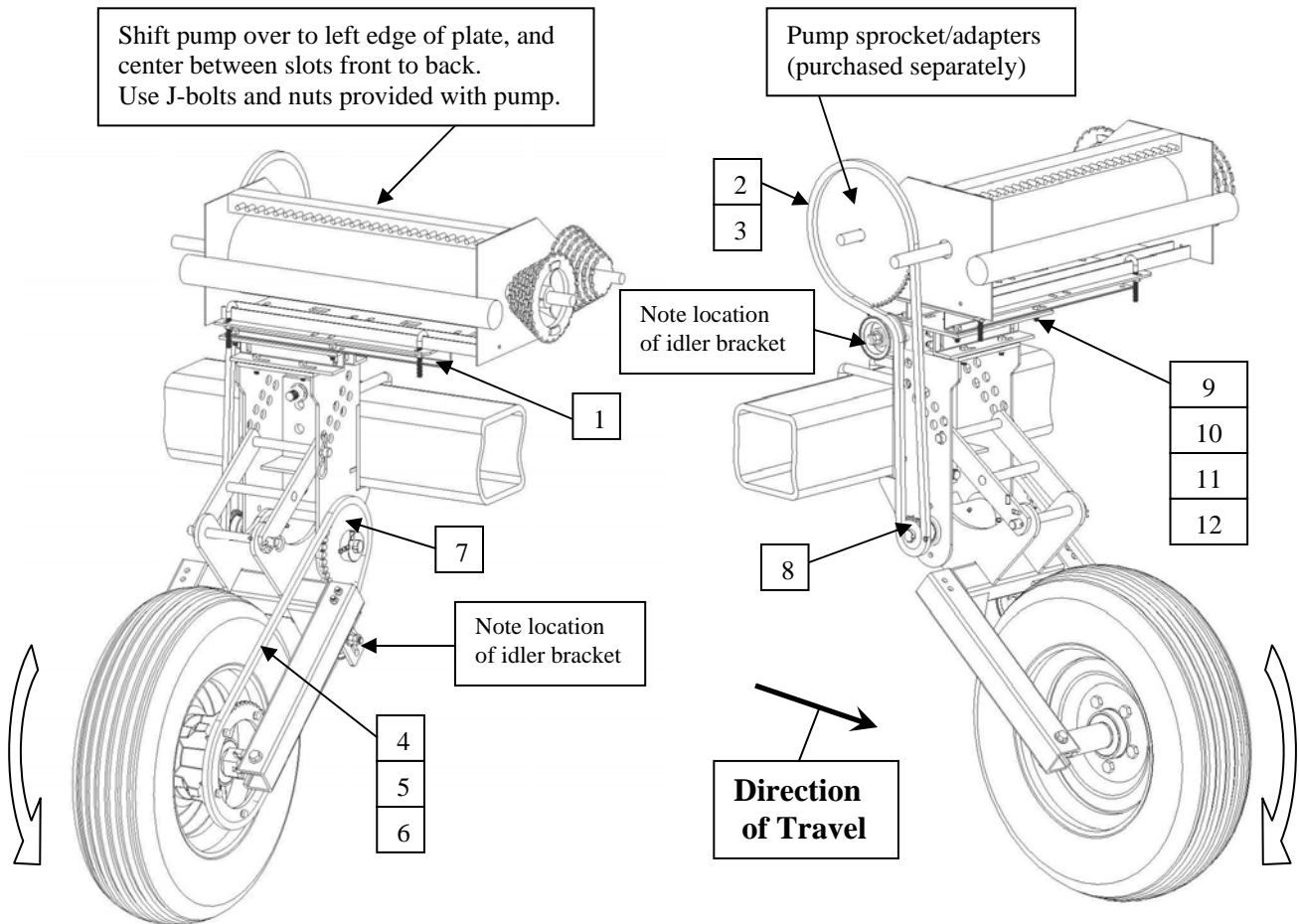
Direction of Travel



Item installation location diagrams (refer to item numbers on page 3):

Shift pump over to left edge of plate, and center between slots front to back. Use J-bolts and nuts provided with pump.

Pump sprocket/adapters (purchased separately)



LIMITED WARRANTY

THIS WARRANTY IS IN LIEU OF ALL OTHER WRITTEN OR EXPRESS WARRANTIES AND REPRESENTATIONS. ANY IMPLIED WARRANTIES INCLUDING MERCHANTABILITY OR FITNESS FOR ANY PARTICULAR PURPOSE ARE EXPRESSLY LIMITED TO THIS WRITTEN WARRANTY. CDS-JOHN BLUE COMPANY SHALL NOT BE LIABLE FOR CONSEQUENTIAL DAMAGES.

Use of this product for any purpose other than its original intent, abuse of the product, and/or any modification to the original product is strictly prohibited by the manufacturer, CDS-John Blue Company. Any modification to the product should be approved by CDS-John Blue Company prior to use. CDS-John Blue Company will deny Warranty claims and liability in any situation involving misuse, abuse or modification.

Each new machine or component manufactured by CDS-John Blue Company through original buyer is warranted by CDS-John Blue Company to buyer and to any party or parties to whom buyer may resell, lease or lend the equipment to be free from defects in material and workmanship under normal use and service. This obligation of CDS-John Blue Company under this warranty is limited to the repair or replacement of defective parts or correction of improper workmanship of any parts of such equipment which shall within one year from the date of CDS-John Blue's original delivery thereof, be returned to CDS-John Blue's factory, transportation charges prepaid and which CDS-John Blue Company shall determine to its satisfaction upon examination thereof to have been thus defective. When it is impractical to return the defective parts of such equipment to CDS-John Blue's factory, then CDS-John Blue shall have no liability for the labor cost involved in repairing or replacing any such parts and shall be liable solely for supplying the material necessary to replace or repair the defective parts, provided that prior thereto CDS-John Blue Company shall have determined to its satisfaction that any such parts are thus defective.

This warranty shall not apply to any equipment which shall have been repaired or altered outside CDS-John Blue's factory in any way so as to affect its durability, nor which has been subjected to misuse, abuse, negligence or accident, or operated in any manner other than in accordance with operating instructions provided by CDS-John Blue Company. This warranty does not extend to repairs made necessary by the use of inferior or unsuitable parts or accessories, or parts or accessories not recommended by CDS-John Blue Company.

CDS-John Blue Company makes no warranties in respect to parts, accessories or components not manufactured by CDS-John Blue Company, same ordinarily being warranted separately by their respective manufacturers.

DIVISION OF ADVANCED SYSTEM TECHNOLOGIES

HUNTSVILLE AL

(256) 721-9090



CDS-John Blue Company

Division of Advanced Systems Technology

165 Electronics Blvd, Huntsville, AL 35824

Telephone: (256) 721-9090 - FAX: (256) 721-9091

Toll Free: 1-800-253-2583

www.cds-johnblue.com

YOUR LOCAL DEALER